



TECHNICAL DATA SHEET

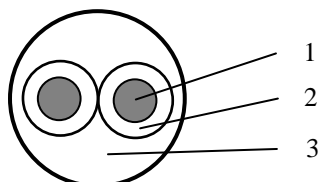
Speaker Cable 2x1.5mm²

code **46382**
version **2**
date **2000-06-26**
page **1/1**

APPLICATION

Speaker cable.

CONSTRUCTION



1. Conductor	32 x 0.23 mm bare Cu (1.5 mm ²)
2. Insulation	
Material	PVC
Diameter over insulation	2.50 ± 0.07 mm
Colour of insulation	Black and red
3. Sheath	
Material	Flexible PVC with matte finish
Diameter over sheath	7.00 ± 0.10 mm
Colour of sheath	Grey (like RAL 7000) or black

REQUIREMENTS AND TEST METHODS

Electrical:

Resistance conductor @ 20°C	< 13 Ω/km
Testvoltage conductor-conductor	1000 VDC

Mechanical and physical:

Temperature range processing and operating	-5 to +60 °C
Temperature range storage	-15 to +60 °C

MARKING

Colour code 2821: grey sheath with text: 'BELDEN 46382 SPEAKER CABLE 2x1.5 mm²'
Colour code 3175: black sheath with text: 'BELDEN 46382 SPEAKER CABLE 2x1.5 mm²'

PACKAGING

On non-returnable reels with a nominal length of 100m ± 10% (040 or 000-putup) or non-returnable reels with a nominal length of 500m ± 10% (240 or 500-putup) or non-returnable reels with a nominal length of 1000m ± 10% (047 or 250-putup).

Each reel is labelled with the following data:

Belden Logo. Belden code number. Item description.
Length on the reel. Date of manufacture.



TECHNICAL DATA SHEET

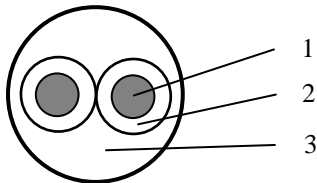
Speaker Cable 2x2.5mm²

code **46381**
version **2**
date **2000-06-26**
page **1/1**

APPLICATION

Speaker cable.

CONSTRUCTION



1. Conductor	50 x 0.25 mm bare Cu (2.5 mm ²)
2. Insulation	
Material	PVC
Diameter over insulation	2.90 ± 0.07 mm
Colour of insulation	Black and red
3. Sheath	
Material	Flexible PVC with matte finish
Diameter over sheath	8.05 ± 0.10 mm
Colour of sheath	Grey (like RAL 7000) or black

REQUIREMENTS AND TEST METHODS

Electrical:

Resistance conductor @ 20°C	< 8 Ω/km
Testvoltage conductor-conductor	1000 VDC

Mechanical and physical:

Temperature range processing and operating	-5 to +60 °C
Temperature range storage	-15 to +60 °C

MARKING

Colour code 2819: grey sheath with text: 'BELDEN 46381 SPEAKER CABLE 2x2.5 mm²'
Colour code 3174: black sheath with text: 'BELDEN 46381 SPEAKER CABLE 2x2.5 mm²'

PACKAGING

On non-returnable reels with a nominal length of 100m ± 10% (028 or 250-putup) or non-returnable reels with a nominal length of 500m ± 10% (047 or 500-putup) or non-returnable reels with a nominal length of 1000m ± 10% (025 or 000-putup).

Each reel is labelled with the following data:
Belden Logo. Belden code number. Item description.
Length on the reel. Date of manufacture.

Application

Speaker cables are suitable for speaker applications.

Construction & Dimensions

3 2 1



1. **Conductor**
2. **Outer Shield**
3. **Jacket**

1. **Inner Conductor** Innenleiter - Conduttore Interno – Conducteur – Conductor - Проводник
Material Stranded (56 x 0.30mm), bare copper
Diameter 2.6 mm

Insulation Isolation – Isolant - Isolamento – aislamiento - Изоляция
Material PVC
Diameter over insulation 3.5 mm
Color of insulation Red and Black
2. **Outer shield** Gesamtschirm – Tresse générale - Schermatura esterna - blindaje exterior - внешний экран
Outer shield Unshielded
3. **Jacket** Aussenmantel – Guaina – Gaine – Revestimiento - Оболочка
Material PVC, matte
Diameter: 9.0 ± 0.2 mm
Color and text: see table Marking

Requirements and test methods

Electrical characteristics

Nominal capacitance conductor to conductor: 116 pF/m
Kapazitaet (Ader/Ader) - Capacità Nominale Conduttore/Schermo - Capacité nominale entre conducteur et blindage - Capacitancia nominal de conductor a blindaje - Номинальная емкость "проводник-проводник"

Max. inner conductor DC resistance @ 20 °C: 4.5 Ω/km
Gleichstromwiderstand Innenleiter - Resistenza Nominale DC del Conduttore Interno - Résistance du conducteur intérieur - Resistencia CC nominal del conductor interno - Номин. сопротивление пост. току внутреннего проводника

Product Datasheet
BE46380
Speaker Cable
2x4.0mm² – 11AWG

Rev. 2/ 2005-05-20 2/2

Mechanical and physical characteristics

Temperature range - storage/operation -15°C to +60°C
Temperature range - installation -5 °C to + 60°C

Minimum bending radius 10x Ø cable
Biegeradius - Raggio Minimo di Curvatura - Rayon de courbure minimum - Radio de curvatura mínimo - Минимальный радиус изгиба

Nominal cable weight 120 kg/km
Gewicht - Peso Nominale del Cavo – Poids - Peso nominal del cable - Номинальный вес кабеля



Ordering information

MARKING

Jacket colour	Text
Black, Grey	BELDEN BE46380 SPEAKER CABLE 2x4.0 mm2

Meter marking: yes, MM-YY: month and year of manufacturing

PACKAGING (PUT-UP, +/-10%)

100m, 500m and 1000m

Each reel is labelled with the following data:

Belden Logo, Belden code number, item description, length on the reel and date of manufacturing.



TECHNICAL DATA SHEET

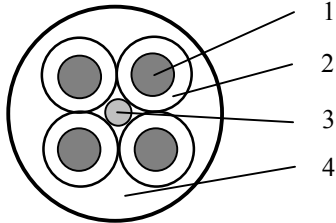
Speaker Cable 4x2.5mm²

code 46379
version 2
date 2000-06-26
page 1/1

APPLICATION

Speaker cable.

CONSTRUCTION



1. Conductor	50 x 0.25 mm bare Cu (2.5 mm ²)
2. Insulation	
Material	PVC
Diameter over insulation	2.90 ± 0.07 mm
Colour of insulation	Black, red, white and green
3. Filler	
Material	PVC
Diameter	1.30 mm
Colour	Grey
4. Sheath	
Material	Flexible PVC with matte finish
Diameter over sheath	10.00 ± 0.20 mm
Colour of sheath	Grey (like RAL 7000) or black

REQUIREMENTS AND TEST METHODS

Electrical:

Resistance conductor @ 20°C	< 8 Ω/km
Testvoltage conductor-conductor	1000 VDC

Mechanical and physical:

Temperature range processing and operating	-5 to +60 °C
Temperature range storage	-15 to +60 °C

MARKING

Colour code 2818: grey sheath with text 'BELDEN 46379 SPEAKER CABLE 4x2.5 mm²'
Colour code 3172: black sheath with text 'BELDEN 46379 SPEAKER CABLE 4x2.5 mm²'

PACKAGING

On non-returnable reels with a nominal length of 100m ± 10% (028 or 250-putup) or non-returnable reels with a nominal length of 1000m ± 10% (025 or 000-putup).

Each reel is labelled with the following data:

Belden Logo. Belden code number. Item description
Length on the reel. Date of manufacture.



TECHNICAL DATASHEET

EPN **BE43907**
date **2002-12-11**
repl. **2002-12-09**
page **1/2**

Speaker cable 8x2. 50 mm² AWG 13

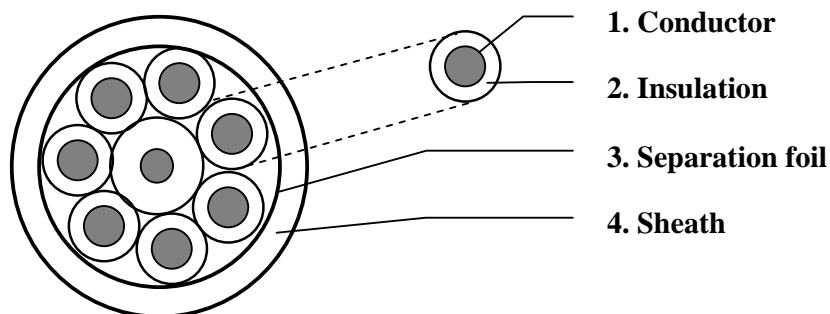
OVERVIEW CODES

Code number	Color code xxxx	Put-up yyy	Color	Put-up length
43907	3495	000	Grey	1000 ± 100 meter
43907	3496	250	Black	250 ± 25 meter
43907	3497	500	Black	500 ± 50 meter

APPLICATION

Speaker cable.

CONSTRUCTION



Element:

1. Conductor

Material
Dimensions

Bare copper
320 x 0.10 mm (AWG 13)

2. Insulation

Material
Diameter over insulation
Diameter over insulation central conductor
Color of insulated conductors
Color of insulated central conductor
Stranding laylength

PVC
2.85 ± 0.10 mm
3.75 ± 0.10 mm
Blue, black, white, green, yellow, purple, brown
Red
150 mm

Cable: 8 elements twisted together

3. Separation foil

Material
Dimensions
Coverage

Non woven foil
60 x 0.05 mm
100 %

5. Sheath

Material
Diameter over sheath
Color and text

matte PVC
12.40 ± 0.20 mm
See table Marking

**TECHNICAL DATASHEET**EPN **BE43907**
date **2002-12-11**
repl. **2002-12-09**
page **2/2****Speaker cable 8x2. 50 mm² AWG 13****REQUIREMENTS AND TEST METHODS****Electrical:**Maximum conductor DC resistance @ 20°C ≤ 8 Ω/km
Maximum operating voltage 300 V RMS
Maximum continuous current per conductor @ 25°C 9 A**Mechanical and physical:**Temperature range processing and operating -5 to +60 °C
Temperature range storage -15 to +60 °C
Minimum bending radius 65 mm
Maximum pulling tension 20 N
Nominal weight 295 kg/km
Nominal copper weight 185 kg/km**MARKING**

Color code	Sheath color	RAL	Text
3495	Grey	7000/9005	BELDEN 43907 SPEAKER 8x2.5mm ²
3496	Black	9005/1013	BELDEN 43907 SPEAKER 8x2.5mm ²
3497	Black	9005/1013	cable&cable CCSP8 high conductivity tri-amp speaker cable

Metermarking:

Color code 3495: Yes
Color code 3496: Yes
Color code 3497: No**PACKAGING**

Put-up code	Put-up length	Put-up type
000	1000 -100/+100 meter	non-returnable reel
250	250 -25/+25 meter	non-returnable reel
500	500 -50/+50 meter	non-returnable reel